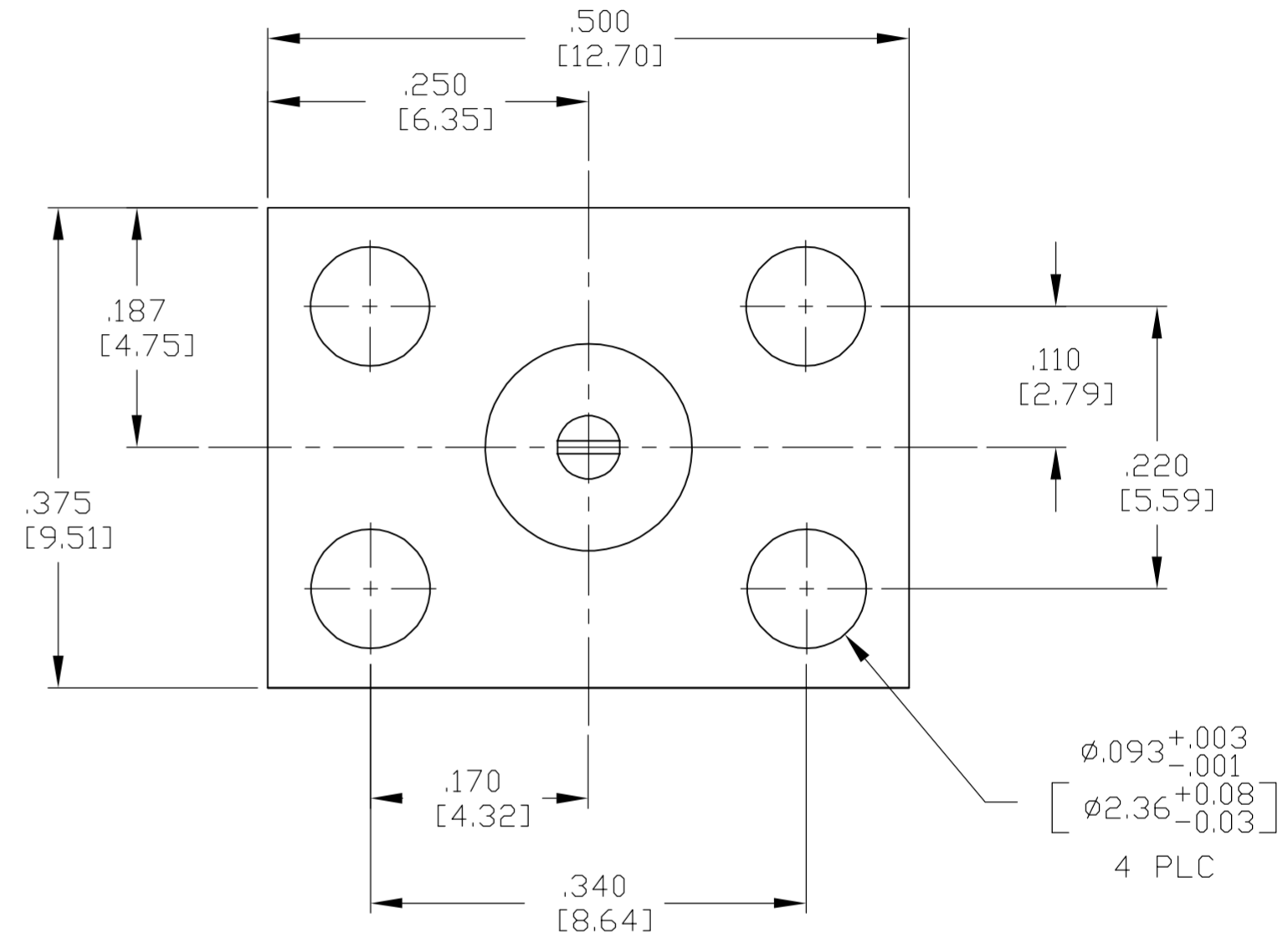
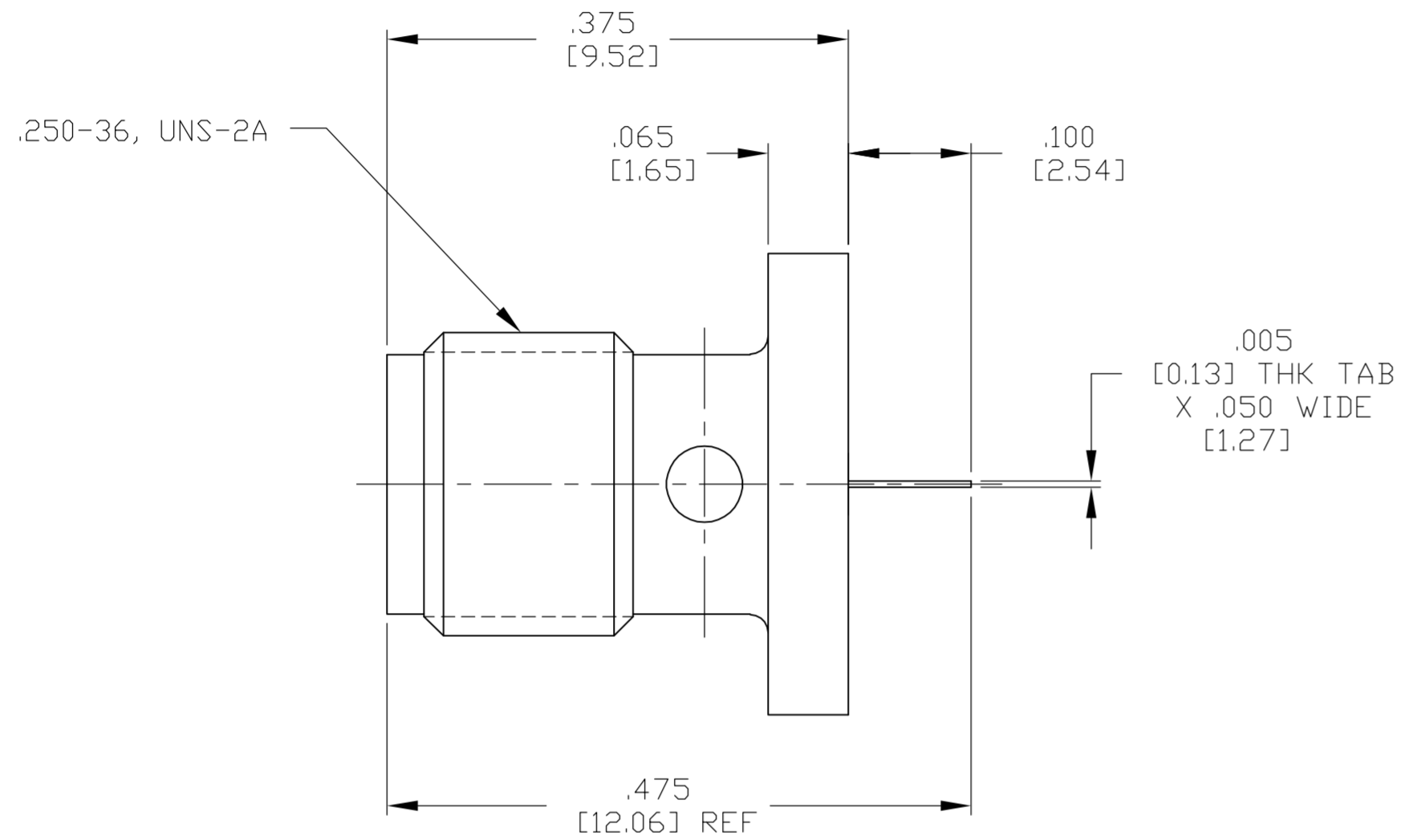


THIS DRAWING IS UNPUBLISHED. RELEASED FOR PUBLICATION
 © COPYRIGHT BY TYCO ELECTRONICS CORPORATION. ALL RIGHTS RESERVED.

LOC	DIST	REVISIONS					
DF	X5	P	LTR	DESCRIPTION	DATE	DWN	APVD
		A		RELEASED	1-18-06	CT	FB



1. CAPTURED CENTER CONTACT.

HOUSING	STAINLESS STEEL PER ASTM-A484 AND ASTM-A582, TYPE 303	GOLD PLATE PER ASTM-B-488
DIELECTRIC	TFE FLUOROCARBON PER ASTM-D-1457	N/A
CENTER CONTACT	BERYLLIUM COPPER PER ASTM-B-196 OR ASTM-B-197, ALLOY C17300, CONDITION H	GOLD PLATE PER ASTM-B-488
COMPONENT	MATERIAL	FINISH

1052583-1
PART NUMBER

THIS DRAWING IS A CONTROLLED DOCUMENT.		DWN C.C.THOMAS 17JAN2006	AMP Tyco Electronics Corporation Harrisburg, PA 17105-3608	
DIMENSIONS: INCHES [mm]		CHK F.BLASICK 1-18-06	NAME OSM FLANGE MOUNT JACK ASSY, RECEPTACLE TAB TERMINAL	
TOLERANCES UNLESS OTHERWISE SPECIFIED:		APVD F.BLASICK 1-18-06	DRAWING NO A2 00779 C=1052583	
0 PLC ± -		PRODUCT SPEC	RESTRICTED TO	
1 PLC ± -		APPLICATION SPEC	-	
2 PLC ± -		WEIGHT	-	
3 PLC ± .005 [0.13]		SCALE	8:1	
4 PLC ± -		CUSTOMER DRAWING	SHEET 1 of 1	
ANGLES ± -		FINISH	REV A	
SEE TABLE				